

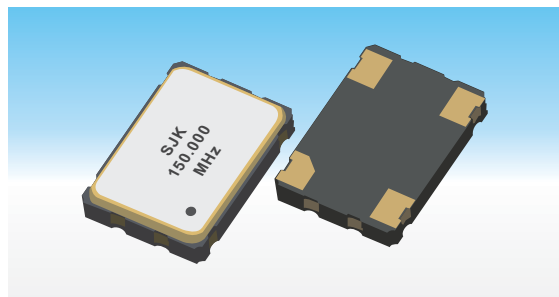
SMD Crystal Oscillators

6N Series SMD 7050 Crystal Oscillators

1~220MHz

O: CMOS

Size: 7.0×5.0×1.5 mm



Actual size

Features

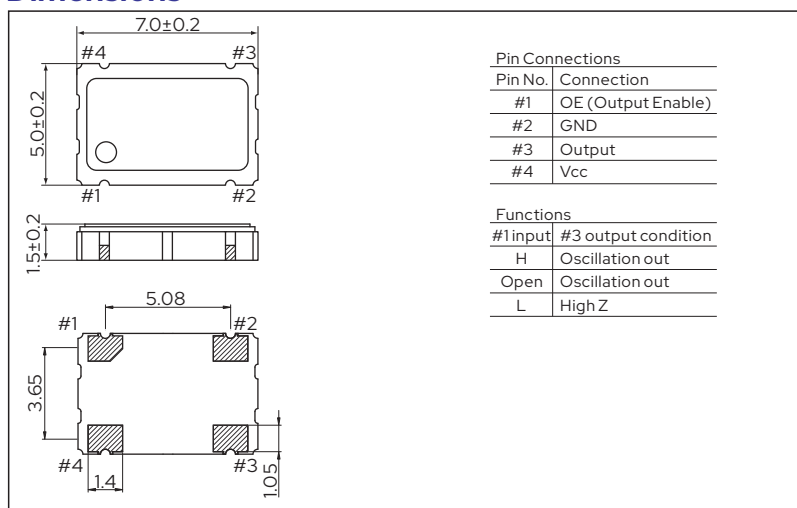
- 7050 size, 1.5mm high. Miniature and lightweight SMD crystal oscillators
- 3-state function
- Supply voltage: 1.8V~3.3V, 5.0V
- Available frequency range: 1MHz~220MHz
- Low jitter provides for high performance
- Application for server, Gb ethernet, HDTV, DVC, Test equipment, PC, PC peripherals, Automotive multimedia device, etc
- RoHS Compliant /Pb Free



Standard Specifications

Item	Type	6N Series SMD 7050 Crystal Oscillators
Output Type		CMOS
Load condition		15pF, or specify
Frequency Range		1MHz~220MHz
Supply Voltage		1.8V~3.3V, 5.0V
Frequency Stability (All Condition)		±20ppm, ±25ppm, ±30ppm, ±50ppm, or specify
Current Consumption		30mA max.
Stand-by Current		10µA max.
Symmetry		45~55%
0 Level Output Voltage (V _{OL})		0.1 Vcc max.
1 Level Output Voltage (V _{OH})		0.9 Vcc min.
Rise Time / Fall Time		10ns max.
OE Pin 0 Level Input Voltage (V _{IL})		0.2Vcc max.
OE Pin 1 Level Input Voltage (V _{IH})		0.8Vcc min.
Start-up Time		5ms max.
Operating Temperature Range		-20~+70°C, -40~+85°C, or specify
Storage Temperature Range		-55~+125°C
Phase Jitter (12KHz~20MHz)		1ps max.

Dimensions



Recommended Land Pattern [mm]

