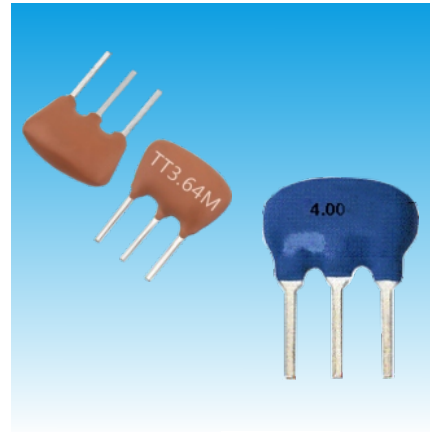


Features

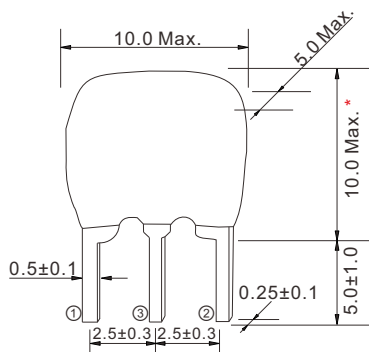
- All (ZTT) are epoxy coated and completely washable
- Resistant to damage from impact and vibration
- Low cost
- Excellent temperature stability ($\pm 0.3\%$)
- DIP type package.
- Applications: *Security, Consumer device, TV, Radio, Receiver, etc.*



Standard Specifications

Part Number	Frequency Range (MHz)	Frequency Accuracy (at 25°C)	Frequency Stability	Operating Temperature	Aging for Ten Years (%)
ZTT...MG	1.79~6.00	$\pm 0.5\%$	$\pm 0.3\%$	-25~+80°C	± 0.3
ZTTWS...MG	1.79~6.00	$\pm 0.5\%$	$\pm 0.3\%$	-25~+80°C	± 0.3
ZTTRS...MG	3.00~12.50	$\pm 0.5\%$	$\pm 0.3\%$	-25~+80°C	± 0.3
ZTT...MT	6.00~13.00	$\pm 0.5\%$	$\pm 0.3\%$	-25~+80°C	± 0.3
ZTT...MX	12.00~60.00	$\pm 0.5\%$	$\pm 0.3\%$	-25~+80°C	± 0.3
ZTTRS...MX	16.00~60.00	$\pm 0.5\%$	$\pm 0.3\%$	-25~+80°C	± 0.3

Dimensions [mm]

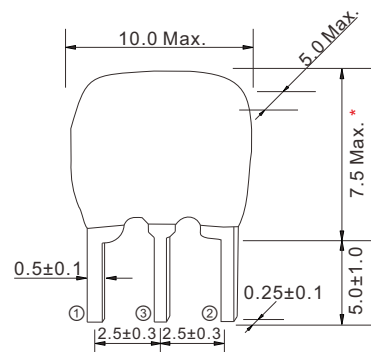


ZTT...MX

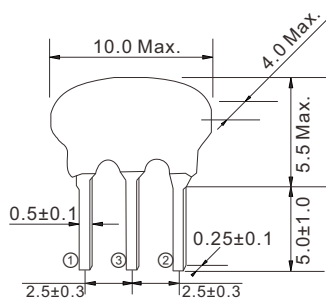
Pin Connections

Pin No.	Connection
①	Input
②	Output
③	GND

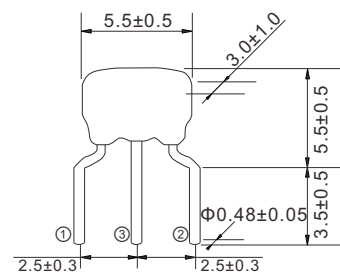
* MG: 7.5 Max.
 MT: 10.0 Max.
 MX: 32~60MHz 6.5Max.
 24~32MHz 7.5Max.
 12~24MHz 10.0Max.



ZTTLS...MG



ZTTWS



ZTTRS