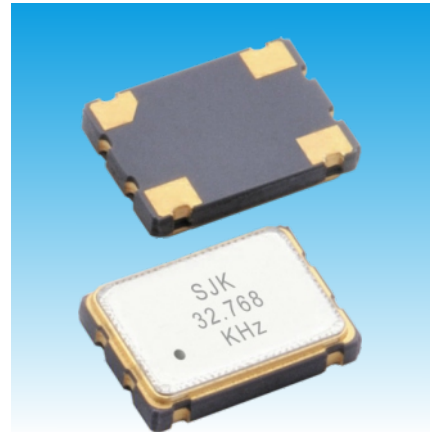


Features

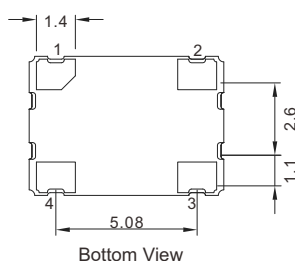
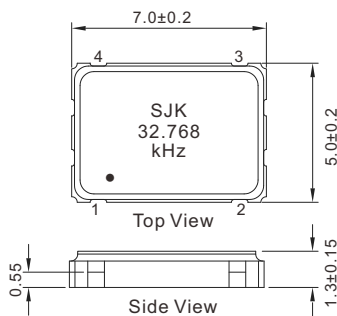
- 7050 size, 1.3mm high 32.768kHz SPXO
- Operation voltage: 1.8~3.3V
- Built-in ASIC enables reduction of current consumption
- 3-state function available
- Automatic mounting and reflow soldering
- Applications: *RTC Applications, DSC, HDTV, Car Navigation, IoT, etc*
- RoHS Compliant & Pb Free



Standard Specifications

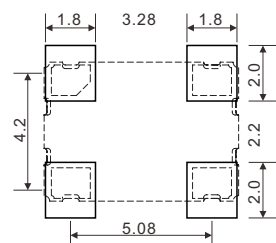
Type	7A 32.768kHz SMD Oscillator
Output Type	CMOS
Output Load	15pF, or specify
Supply Voltage	1.8~3.3V
Nominal Frequency	32.768kHz
Supply Current	100μA Max.
Frequency Stability	±20ppm, or specify
Operating Temperature	-40~+85°C, or specify
Storage Temperature	-55~+125°C
Voltage Vol (Max.) /Voh (Min.)	0.1Vcc / 0.9Vcc
Rise (Tr) /Fall (Tf) Time	12ns Max.
Start-up Time	5ms Max.
Duty Cycle	45~55%
3-state Voltage Vol (Max.) /Voh (Min.)	0.3Vcc / 0.7Vcc
Aging (at 25°C)	±3ppm/Year Max.
Packing Unit	1000pcs./Reel

Dimensions [mm]



Pin Connections

Pin No.	Connection
1	OE
2	GND
3	Output
4	Vcc



Top View Suggested Layout