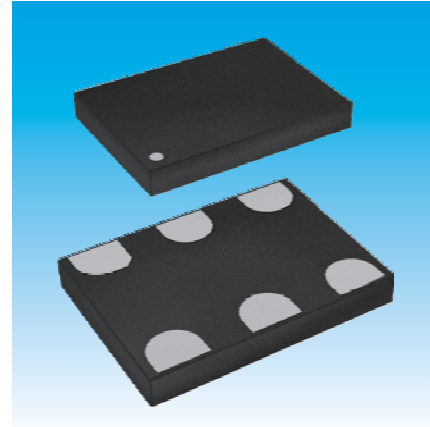


Features

- Any frequency between 1MHz to 220MHz accurate to 6 decimal place
- LVPECL output signaling type
- 0.6ps RMS phase jitter (random) over 12KHz to 20MHz bandwidth
- Industrial and extended commercial temperature range
- Size with 3.2×2.5, 5.0×3.2, 7.0×5.0, mm×mm
- Automatic mounting and reflow soldering
- Applications: 10G Ethernet, SONET, SATA, SAS, Telecom, Storage, Server, etc
- RoHS Compliant /Pb Free

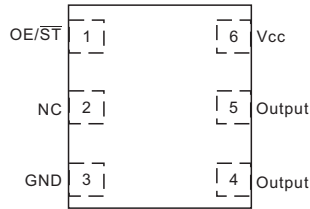


Standard Specification

Item /Type	SJK9121	
Output Type	LVPECL	
Frequency Range	1~220MHz	
Supply Voltage	2.5V/3.3V/2.25~3.63V	
Frequency Stability	±10ppm~±50ppm, or specify	
Operating Temperature	-40~+85°C, -20~+70°C	
Input Voltage High (VIH)	70%Vdd	
Input Voltage Low (VIL)	30%Vdd	
Input Pull-up Impedance	250KΩ Max. (Pin1 Logic High)	
	2MΩ Min. (Pin1 Logic Low)	
Start-up Time	10ms Max.	
Resume Time	10ms Max.	
Duty Cycle	45~55%	
Current Consumption	69mA Max.	
OE Disable Supply Current	35mA Max.	
Output Disable Leakage Current	1μA Max.	
Standby Current	100μA Max.	
Maximum Output Current	30mA Max.	
Output High Voltage (VOH)	Vdd-1.1V	
Output Low Voltage (VOL)	Vdd-1.9V	
Output Differential Voltage Swing	2.0V Max.	
Rise/Fall Time	700ps Max.	
OE Enable/Disable Time	115ns Max.	
RMS Period Jitter	1.7pS Max.	
RMS Period Jitter (Random)	0.85pS Max.	
Storage Temperature Range	-65~150°C	
Packing Unit	3.2×2.5mm	3000pcs.Reel
	7.0×5.0, 5.0×3.2mm	1000pcs.Reel

Pin Functions

Top View

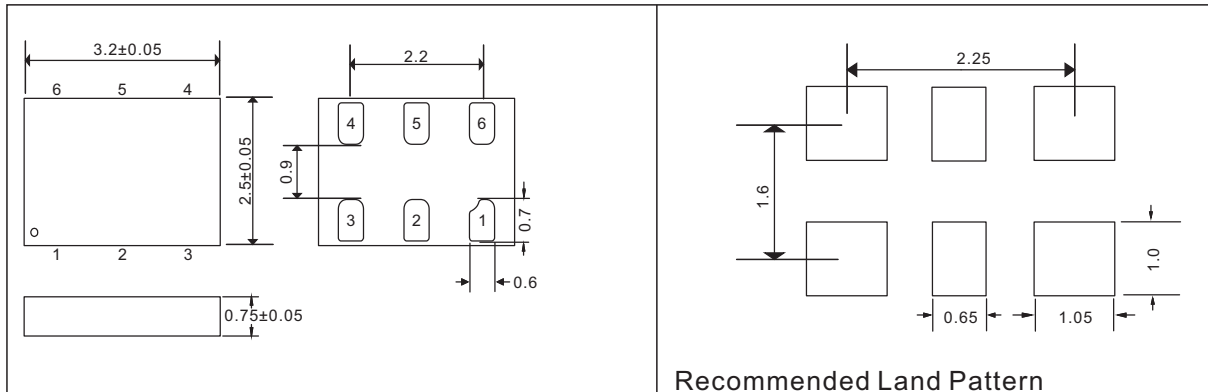


Pin Connections

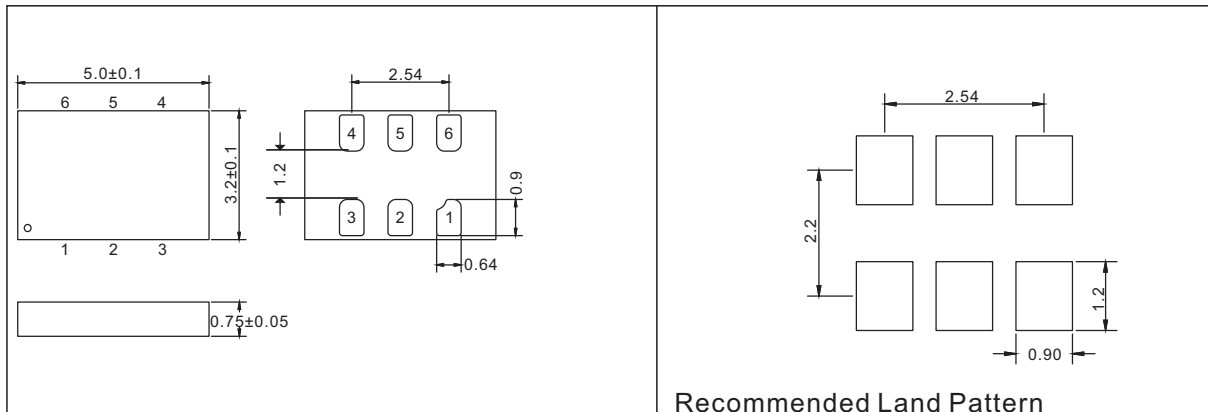
Pin No.	Connection
1	OE /ST
2	NC
3	GND
4	Output (Oscillator Output)
5	Output (Complementary Oscillator Output)
6	Vcc

Dimensions [mm]

Size: 3.2×2.5×0.75 mm



Size: 5.0×3.2×0.75 mm



Size: 7.0×5.0×0.9 mm

