

# 32.768kHz SMD Crystal Oscillator

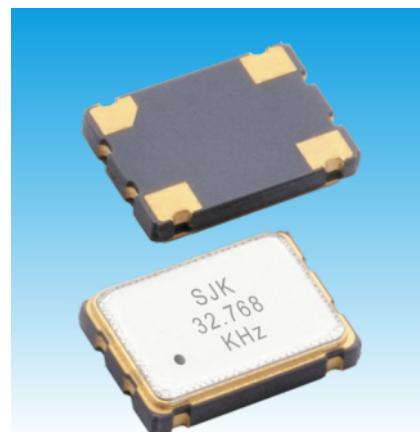


Size: 7.0×5.0×1.30 mm

7A Series 32.768kHz SMD 7050 Oscillator

## Features

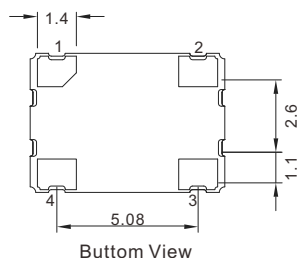
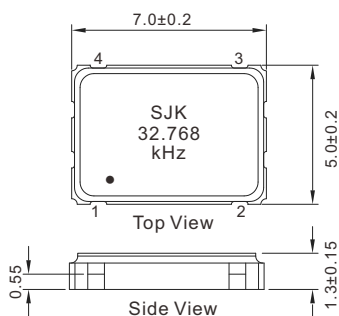
- 7050 size, 1.3mm high 32.768kHz SPXO
- Operation voltage: 1.8V, 2.5V, 3.3V
- Built-in ASIC enables reduction of current consumption
- 3-state function available
- Automatic mounting and reflow soldering
- Applications: RTC application, DSC, HDTV, Car navigation, IoT, etc
- RoHS Compliant /Pb Free



## Standard Specification

Item /Type	7A (32.768kHz SMD 7050 Oscillator)
Output Type	CMOS
Output Load	15pF, or specify
Supply Voltage	1.8V, 2.5V, 3.3V
Nominal Frequency	32.768kHz
Supply Current	100μA Max.
Frequency Stability	±20ppm~±100ppm, or specify
Operating Temperature	-40~+85°C, or specify
Storage Temperature	-55~+125°C
Voltage Vol (Max.) /Voh (Min.)	0.1 Vcc /0.9Vcc
Rise (Tr) /Fall (Tf) Time	12ns Max.
Start-up Time	5ms Max.
Duty Cycle	45~55%
3-state Voltage Vol (Max.) /Voh (Min.)	0.3Vcc /0.7Vcc
Aging (at 25°C)	±3ppm/Year Max.
Packing Unit	1000pcs./Reel

## Dimensions [mm]



### Pin Connections

Pin No.	Connection
1	OE
2	GND
3	Output
4	Vcc

