

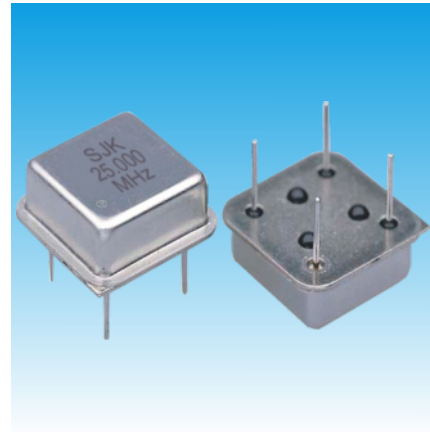
8-Pin Thru-Hole Crystal Oscillators



Half-Size Crystal Oscillators 6MH Series Crystal Oscillators

Features

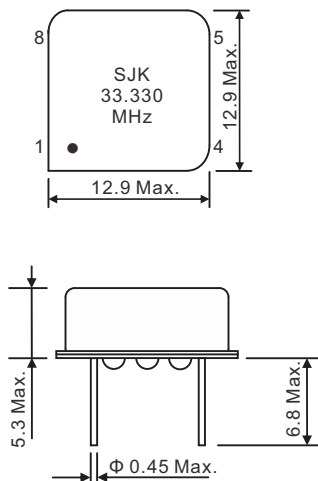
- All metal welded package
- Frequency range from 0.25MHz to 180MHz
- Voltage operation: 3.3V /5.0V
- 8-pin thru-hole package
- 3-state function
- High precision and high stability
- Applications: Test equipment, Avionics, Electronic instruments, Communications, etc.
- RoHS Compliant /Pb Free



Standard Specification

Item /Type	6MH (8 Pin DIP Crystal Oscillators)
Output Type	CMOS
Output Load	15pF, or specify
Supply Voltage	3.3V /5.0V
Frequency Range	0.25~180 MHz
Supply Current	50mA Max.
Frequency Stability	±20ppm, ±25ppm, or specify
Operating Temperature	-40~+85°C, or specify
Storage Temperature	-55~+125°C
Voltage Vol (Max.) /Voh (Min.)	0.1 VDD /0.9 VDD
Rise (Tr) /Fall (Tf) Time	5ns Max.
Period Jitter	40 pSec Max.
Duty Cycle	40~60%
Start-up Time	10ms Max.
Phase Jitter (12KHz~20MHz)	1ps Max.
Aging (at 25°C)	±3ppm /Year Max.
Packing Units	100pcs.

Dimensions [mm]



Pin Connections

Pin No.	Connection
1	OE
4	GND
5	Output
8	Vdd

