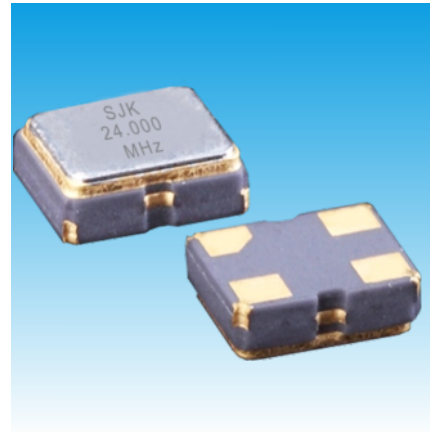


Features

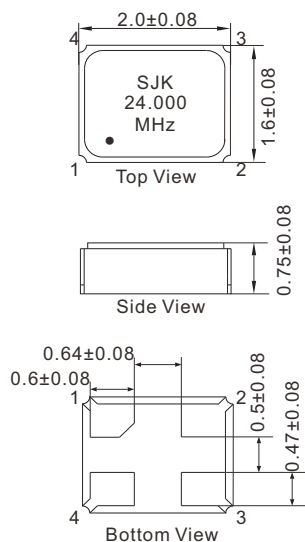
- 2016 size, low profile of 0.75mm
- Frequency range from 4MHz to 54MHz
- Low voltage operation
- Low current consumption
- 3-state function
- Automatic mounting and reflow soldering
- Application for telecommunications, GPS, Smart phone, Cellular, NFC, etc.
- RoHS Compliant /Pb Free



Standard Specification

Item /Type	1N (SMD 2016 Crystal Oscillators)
Output Type	CMOS
Output Load	15pF, or specify
Oscillator Mode	Fundamental
Supply Voltage	3.3V (1.8V, 2.5V available)
Frequency Range	4~54 MHz
Frequency Stability	±25ppm, ±50ppm
Operating Temperature	-40~+85°C, or specify
Storage Temperature	-55~+125°C
Voltage Vol (Max.) /Voh (Min.)	0.1 VDD /0.9 VDD
Rise (Tr) /Fall (Tf) Time	5ns Max.
Supply Current	5mA Max.
Symmetry	45~55%
Start-up Time	5ms Max.
Phase Jitter (12KHz~20MHz)	1ps Max.
Aging (at 25°C)	±3ppm /Year Max.
Packing Units	3000pcs. /Reel

Dimensions [mm]



Pin Connections

Pin No.	Connection
1	OE (Output Enable)
2	GND
3	Output
4	Vcc

